

1

2

3

4

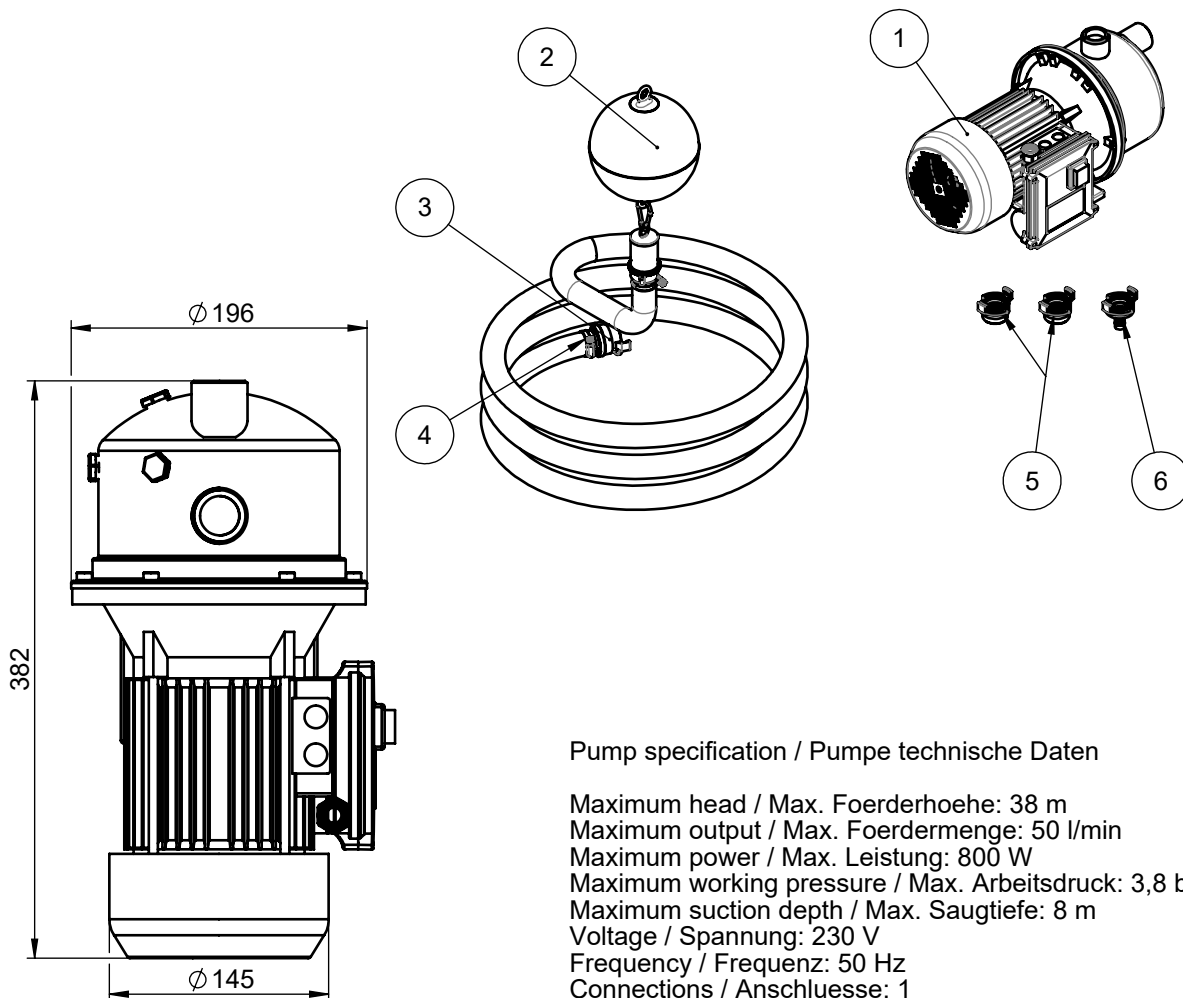
SCALE 1 : 10

A

B

C

D



Pump specification / Pumpe technische Daten

Maximum head / Max. Foerderhoehe: 38 m
 Maximum output / Max. Foermenge: 50 l/min
 Maximum power / Max. Leistung: 800 W
 Maximum working pressure / Max. Arbeitsdruck: 3,8 bar
 Maximum suction depth / Max. Saugtiefe: 8 m
 Voltage / Spannung: 230 V
 Frequency / Frequenz: 50 Hz
 Connections / Anschlusse: 1

Including floating suction filter with 5m hose /
 Inklusive schwimmendem Ansaugfilter mit 5m Schlauch

| Pos. | Item-No. | Index | Item name | QTY. |
|------|----------|-------|---|------|
| 1 | 1015827 | 001 | Centrifugal JET pump | 1 |
| 2 | 1208530 | 002 | Floating suction filter for GAP X120 with 5m hose | 1 |
| 3 | 1067119 | 001 | Suction and high pressure coupling 1 inch hose | 1 |
| 4 | 1067278 | 001 | Hose clamp | 1 |
| 5 | 1067137 | 001 | Adapter coupling 1 inch AG | 2 |
| 6 | 1067133 | 001 | Adapter coupling 0.5 inch hose | 1 |

material number: 2001137
 local article number: 103150



| | | | |
|-------------|--------------------------------|----------------------|---------------------------------|
| ACO GmbH | drawing-no.: 1258500 | index: 002 | documenttype: marketing drw. |
| created by: | reviewed by: | projection: ISO-E | scale: 1:5 |

title:

ACO Rain4me
 Centrifugal jet pump, set
 Jet Kreiselpumpe, Set

serial-released

The reproduction, distribution and utilization of this document as well as the communication of its contents to others without express authorization is prohibited. Offenders will be held liable for the payment of damages. All rights reserved in the event of the grant of a patent, utility model or design. Observe copyright by ISO 16016

release date:
07.08.2024

sheet:
1/1