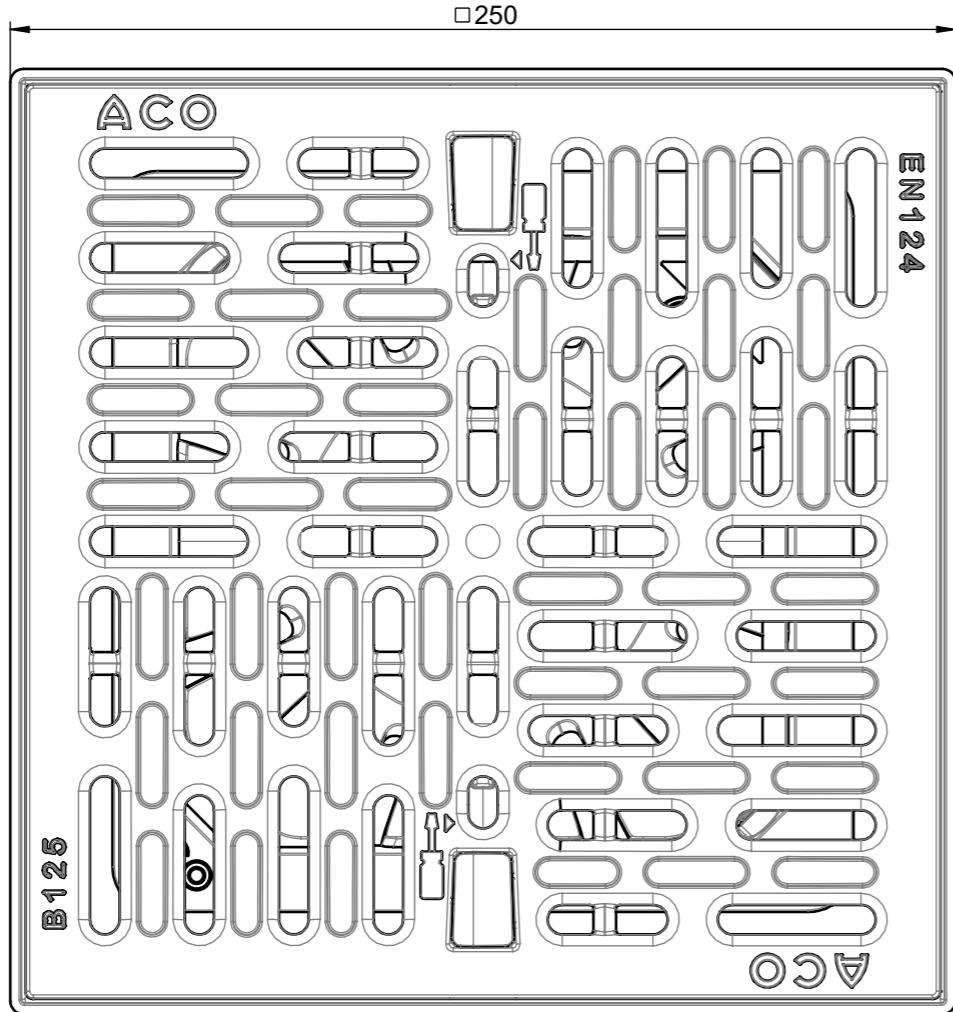
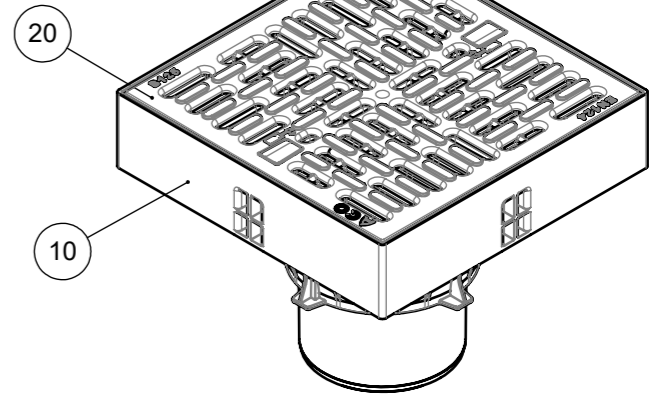


SCALE 1 : 5



local article number: 319430

BOM Table				
Pos.	Item-No.	Article No.	Item name	QTY.
10	1034349	319420	XtraPoint Gully with mud basket	1
20	1031800	319452	Plastic grating B125 with locking	1

	ACO Hochbau Vertrieb GmbH 24755 Rendsburg, Postfach 320 Tel. +49 4331 354-410 Fax. +49 4331 354-360 www.aco-hochbau.de	drawing-no.: 1034351-M	index: 001	documenttype: marketing drw.
	created by: twichmann	reviewed by: twichmann	projection:ISO-E	scale: 1:2

title:
Garden gully platform
XtraPoint Gully with mud basket and plastic grating B125
XtraPoint Hofablauf mit Schlammeimer und Kunststoffrost B125

serial-released

The reproduction, distribution and utilization of this document as well as the communication of its contents to others without express authorization is prohibited. Offenders will be held liable for the payment of damages. All rights reserved in the event of the grant of a patent, utility model or design. Observe copyright by ISO 16016	release date: 03.07.2020	sheet: 1/1
--	------------------------------------	----------------------