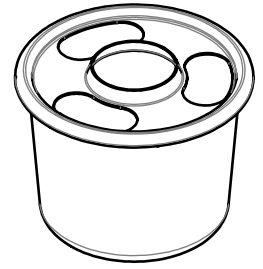


1

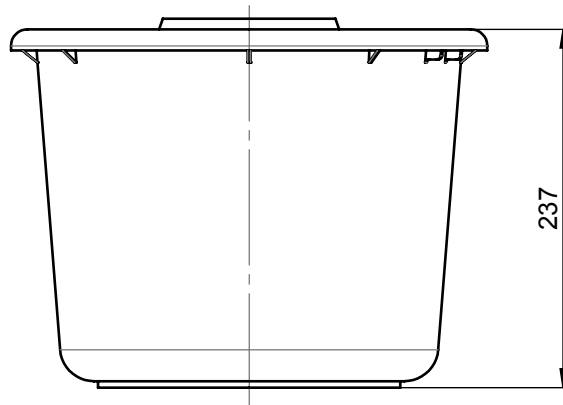
2

3

4



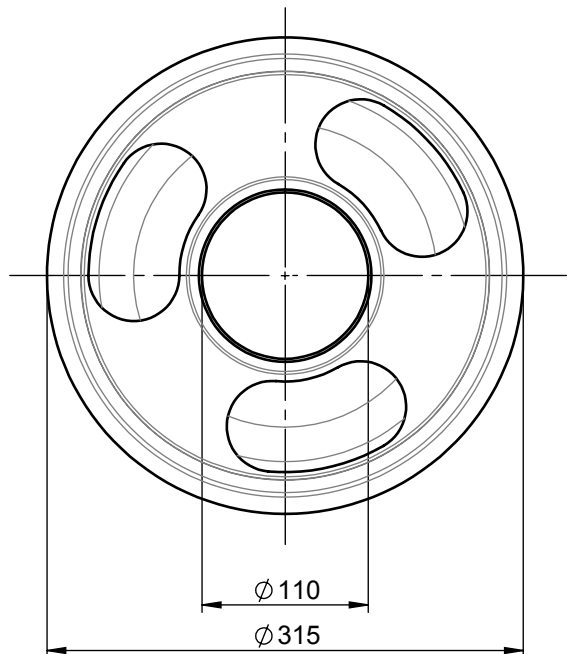
A



B

237

C



D

 $\varnothing 110$ $\varnothing 315$

To improve the water quality by preventing sediments from being stirred up, adds oxygen /
Zur Erhoehung der Wasserqualitaet durch Vermeidung von Verwirbelungen von Bodensedimenten, Weitere Funktion ist Sauerstoffanreicherung

E

Including DN 100 KG 2000 pipe for inlet connection /
Inklusive DN 1000 KG 2000 Rohr für Zuflussverbindungung

local article number: 103211

Weight / Gewicht : 0,61 kg
Connections / Anschluesse: DN 100



ACO Hochbau
Vertrieb GmbH
24755 Rendsburg, Postfach 320
Tel. +49 4331 354-410
Fax. +49 4331 354-360
www.aco-hochbau.de

technical reference:

Bartsch, Martin

created by:

mbartsch

drawing-no.:

1015802-M

index:

001

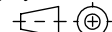
documenttype:

marketing drw.

reviewed by:

mbartsch

projection:ISO-E



scale:

1:5

title:

ACO Rain4me
Inlet flow turbulence reducer
Zulaufberuhiger

serial-released

F

The reproduction, distribution and utilization of this document as well as the communication of its contents to others without express authorization is prohibited. Offenders will be held liable for the payment of damages. All rights reserved in the event of the grant of a patent, utility model or design. Observe copyright by ISO 16016

release date:

2017-03-25 20:19

sheet:

1/1