

1 2 3 4

A

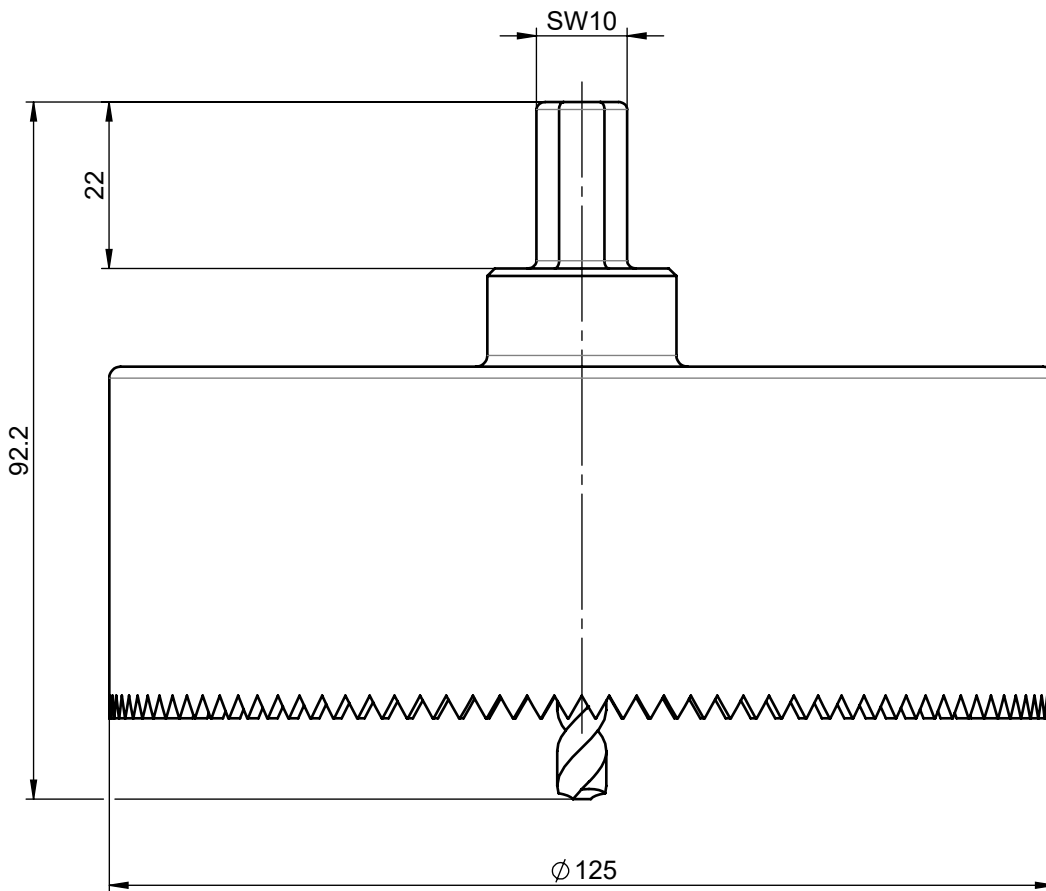
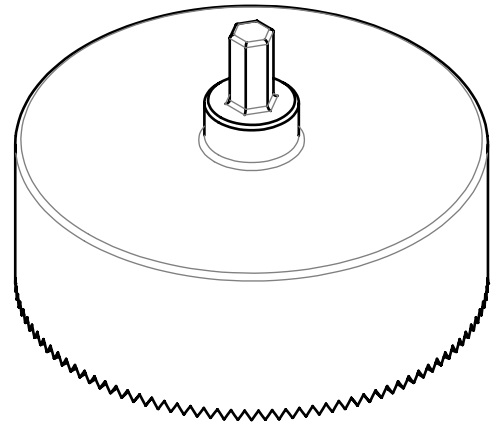
B

C

D

E

F



material number: 2001150
local article number: 103207



created by:

drawing-no.: **1414181**
reviewed by:

index: **001**

documenttype: **marketing drw.**
projection: ISO-E scale: **1:1**

title: **ACO Rain4me Hole Drill DN110 Lochkreissaegle DN110** **serial-released**

The reproduction, distribution and utilization of this document as well as the communication of its contents to others without express authorization is prohibited. Offenders will be held liable for the payment of damages. All rights reserved in the event of the grant of a patent, utility model or design. Observe copyright by ISO 16016

release date: **19.03.2024** sheet: **1/1**

Solidworks 2019 - DN 110 - Version 2.2