

1

2

3

4

A

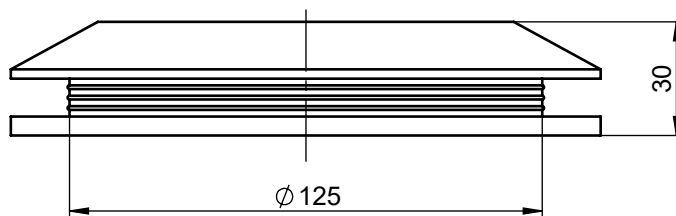
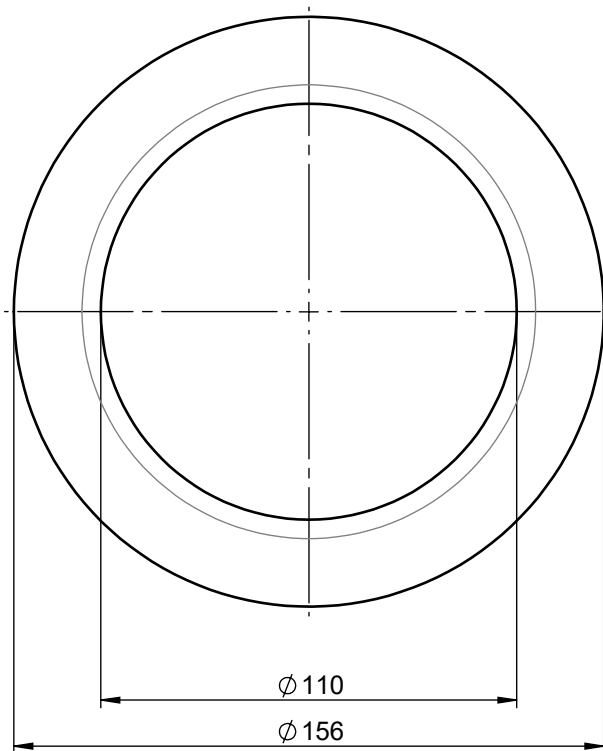
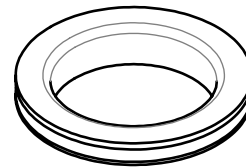
B

C

D

E

F



Specification / Technische Daten

To connect to sewer pipe /  
Fuer den Anschluss der Abwasserleitung

Pipe / Rohr  
DN 110

Bore /Bohrung  
Ø 125 mm



ACO GmbH  
Am Ahlmannkai  
24782 Büdelsdorf  
www.aco.com

technical reference:  
Bartsch, Martin

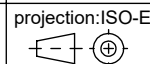
created by:

drawing-no.:  
**1258077**

reviewed by:

index:  
**003**

documenttype:  
marketing drw.



scale:  
1:2

title:

ACO Rain4me  
Rubber lipped seal DN110  
Gummilippendichtung DN110

serial-released

The reproduction, distribution and utilization of this document as well as the communication of its contents to others without express authorization is prohibited. Offenders will be held liable for the payment of damages. All rights reserved in the event of the grant of a patent, utility model or design. Observe copyright by ISO 16016

release date:  
19.03.2024

sheet:  
1/1

Software 2018 - DN 110 - Version 1.4