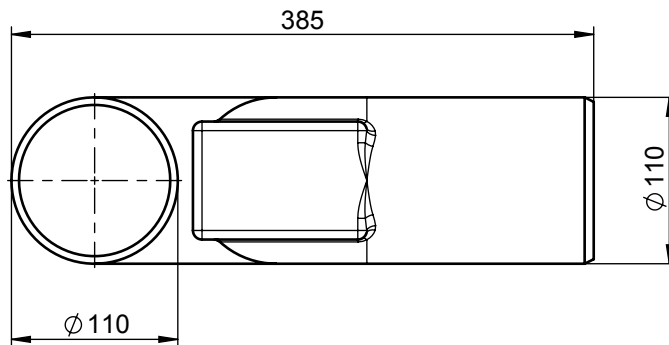
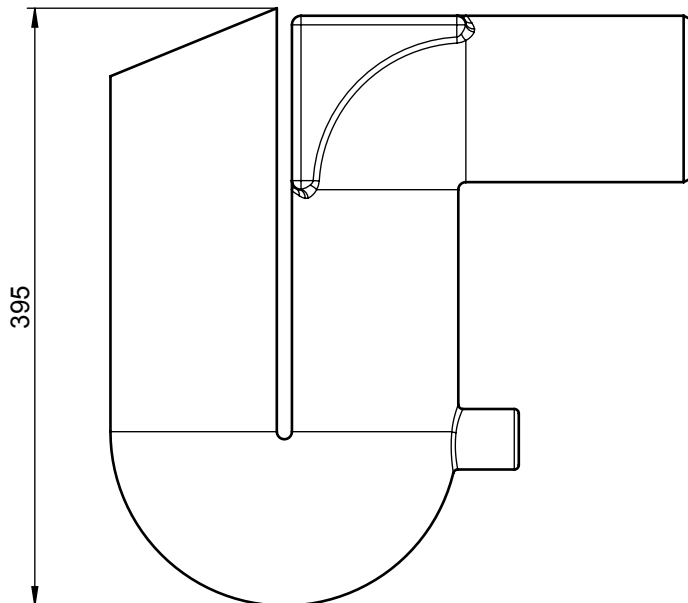
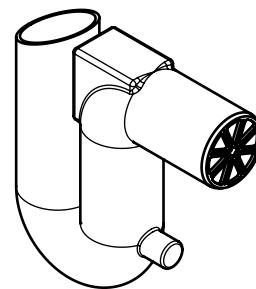


1

2

3

4



local article number: 103201

With skimmer effect and rhodent protection /
Mit Skimmereffekt und Tierschutz

Specification / Technische Daten:
Material / Material: polyethylene
Connections / Anschlusse: DN 100



ACO Hochbau
Vertrieb GmbH
24755 Rendsburg, Postfach 320
Tel. +49 4331 354-410
Fax. +49 4331 354-360
www.aco-hochbau.de

technical reference:
Bartsch, Martin

created by:
mbartsch

drawing-no.:
1017848-M

reviewed by:
mbartsch

index:
002

documenttype:
marketing drw.

projection: ISO-E scale:
1:5

title:

ACO Rain4me
Overflow siphon with rhodent protection
Ueberlaufsisphon mit Tierschutz, gekuerzt

serial-released

The reproduction, distribution and utilization of this document as well as the communication of its contents to others without express authorization is prohibited. Offenders will be held liable for the payment of damages. All rights reserved in the event of the grant of a patent, utility model or design. Observe copyright by ISO 16016

release date:
2017-03-27 09:36

sheet:
1/1