

1

2

3

4

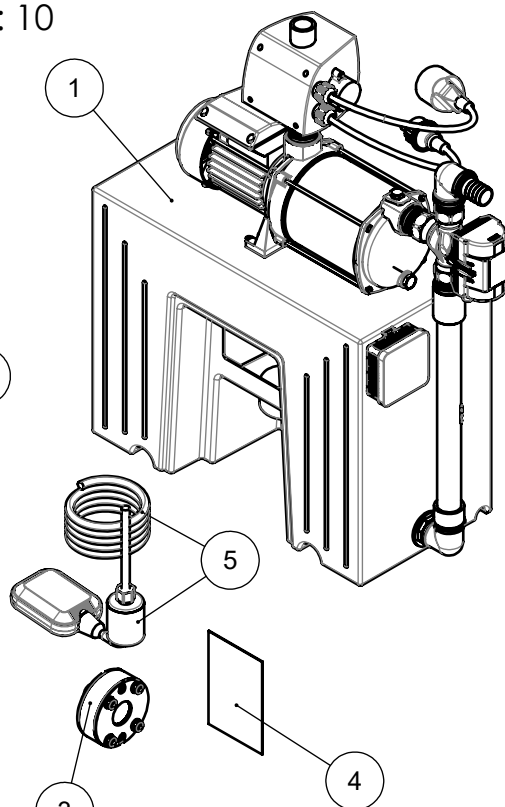
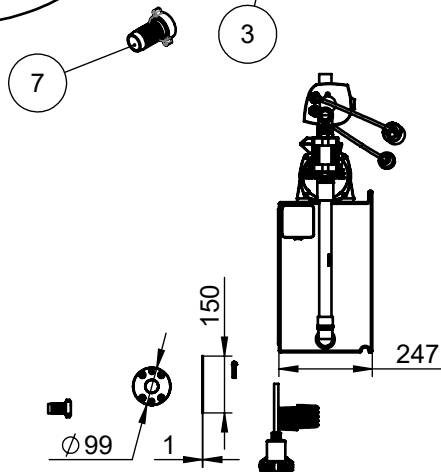
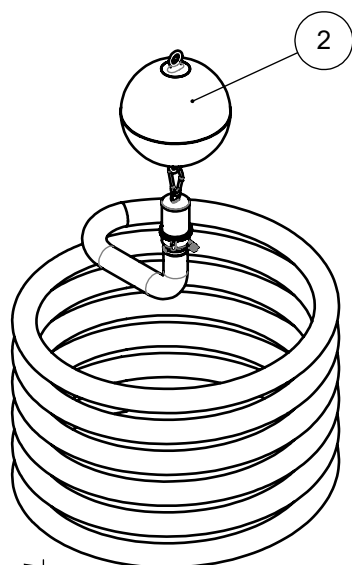
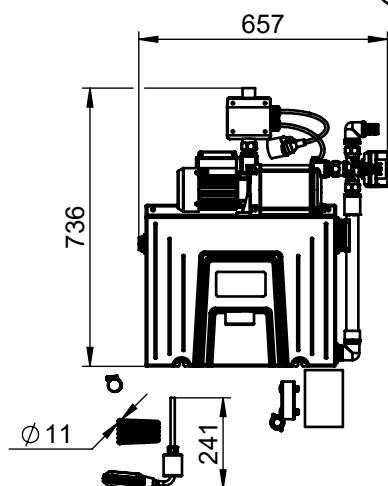
SCALE 1 : 10

A

B

C

D



E

Including floating suction filter with 10m hose /  
Inklusive schwimmendem Ansaugfilter mit 10m Schlauch  
material number: 2001140  
local article number: 103153

Pos.	Item-No.	Material No.	Index	Item name	QTY.
1	1015849		001	Fully automated rainwater management	1
2	1208528		002	Floating suction filter for GAP X120 with 10m hose	1
3	1015811	2001146	001	Seal for through-the-wall-connections DN 100 / 1x 32 mm	1
4	1027614	2001151	001	Labelling kit	1
5	1067269		001	Float switch, set	1
6	1067278		001	Hose clamp	1
7	1068525		001	Hose nozzle, 1 inch	1



ACO GmbH  
Am Ahlmannkai  
24782 Büdelsdorf  
www.aco.com

created by:

drawing-no.:  
**1258544**index:  
**002**documenttype:  
marketing drw.projection: ISO-E  
scale:  
1:20

F

title:  
ACO Rain4me  
Fully automated rainwater management, set  
Vollautomatisches Regenwassermanagement, Set

serial-released

The reproduction, distribution and utilization of this document as well as the communication of its contents to others without express authorization is prohibited. Offenders will be held liable for the payment of damages. All rights reserved in the event of the grant of a patent, utility model or design. Observe copyright by ISO 16016

release date:  
15.05.2024sheet:  
1/1