

1

2

3

4

A

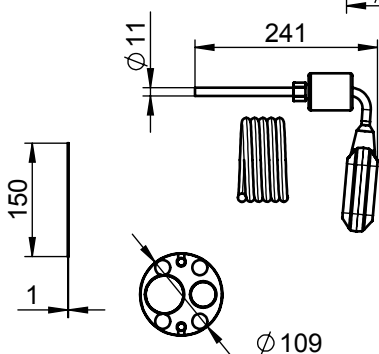
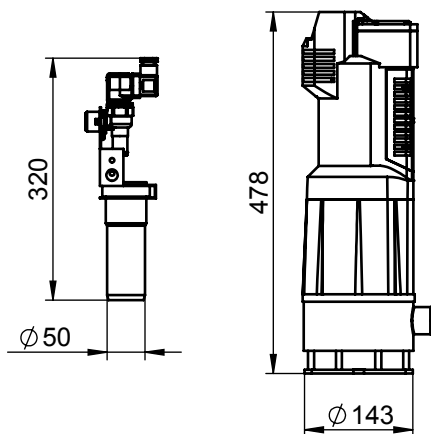
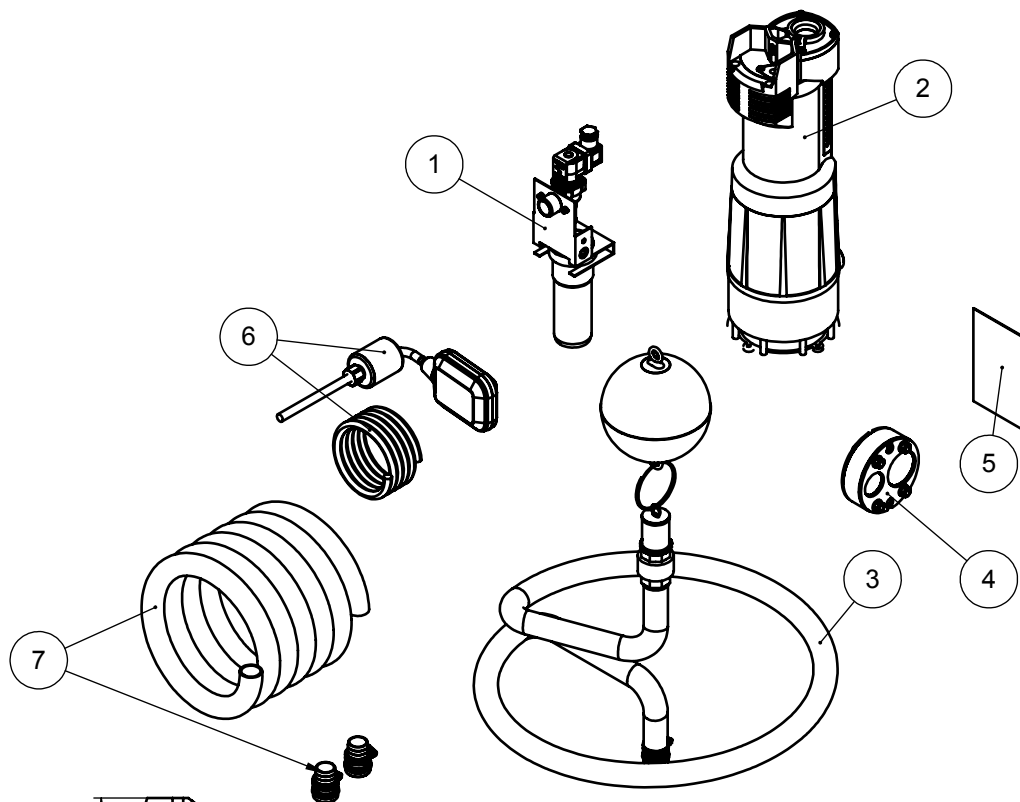
B

C

D

E

F



Specification / Technische Daten:

Maximum head / Max. Foerderhoehe: 36 m
 Maximum output / Max. Foerdermenge: 95 l/min
 Maximum power / Max. Leistung: 900 W
 Maximum working pressure / Max. Arbeitsdruck: 3,6 bar
 Voltage / Spannung: 230 V
 Frequency / Frequenz: 50 Hz

local article number: 103152

Pos.	Item-No.	Index	Item name	QTY.
1	1015851	001	Drinking water feeder	1
2	1017264	002	Clean water pressure pump	1
3	1027651	001	Floating suction filter with 1m hose	1
4	1015833	001	Seal for through-the-wall-connections DN 110 / 1x 32, 1x 50 mm	1
5	1027614	001	Labelling kit	1
6	1067269	001	Float switch, set	1
7	1067236	001	Hose with adapter	1
9	1067280	001	Hose connector 1 inch	1

Details:

Including 15 m connection cable /
 Inklusive 15 m Anschlusskabel



ACO Hochbau
 Vertrieb GmbH
 24755 Rendsburg, Postfach 320
 Tel. +49 4331 354-410
 Fax. +49 4331 354-360
 www.aco-hochbau.de

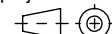
created by:
 mbartsch

drawing-no.:
1052367-M

index:
001

documenttype:
 marketing drw.

reviewed by:
 mbartsch

projection: ISO-E
 scale:
 1:10

title:

ACO Rain4me
 Drinking water feeder, set
 TW-Nachspeisung, Set

serial-released

The reproduction, distribution and utilization of this document as well as the communication of its contents to others without express authorization is prohibited. Offenders will be held liable for the payment of damages. All rights reserved in the event of the grant of a patent, utility model or design. Observe copyright by ISO 16016

release date:
 2018-08-24 12:33

sheet:
 1/1