

1

2

3

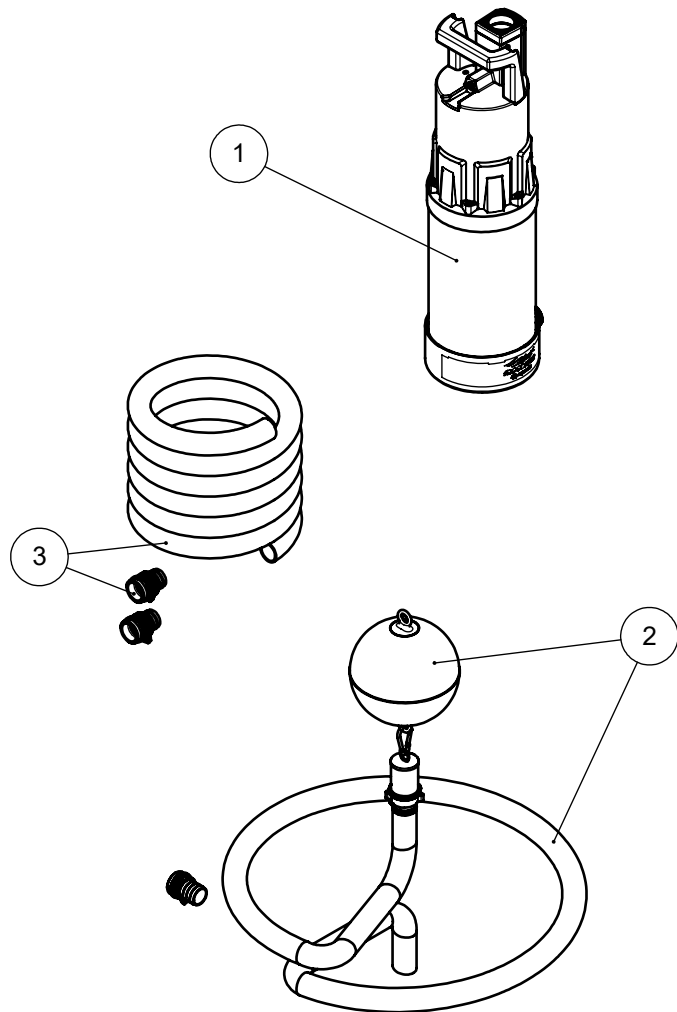
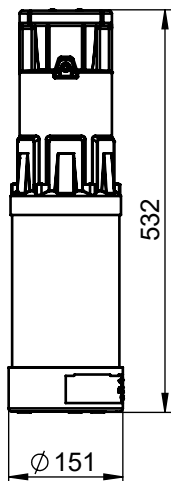
4

A

B

C

D



Pump specification / technische Daten der Pumpe

Maximum head / Max. Foerderhoehe: 45 m
 Maximum output / Max. Foerdermenge: 100 l/min
 Maximum power / Max. Leistung: 1000 W
 Maximum working pressure / Max. Arbeitsdruck: 4,5 bar
 Voltage / Spannung: 230 V
 Frequency / Frequenz: 50 Hz

Pos.	Item-No.	Index	Item name	QTY.
1	1203110	003	Clean water pressure pump X120	1
2	1208529	002	Floating suction filter for GAP X120/X80 with 1m hose	1
3	1067236	002	5m hose with adapter	1

E

Including floating suction filter with 1m hose /
 Inklusive schwimmendem Ansaugfilter mit 1m Schlauch

material number: 2001138

local article number: 103151



ACO GmbH
 Am Ahlmannkai
 24782 Büdelsdorf
 www.aco.com

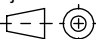
created by:

drawing-no.:
1254484

index:
003

documenttype:
 marketing drw.

reviewed by:

projection: ISO-E scale:
 1:10

F

title:

ACO Rain4me
 Clean water pressure pump X120, set
 Klarwasserdruckpumpe X120, Set

serial-released

The reproduction, distribution and utilization of this document as well as the communication of its contents to others without express authorization is prohibited. Offenders will be held liable for the payment of damages. All rights reserved in the event of the grant of a patent, utility model or design. Observe copyright by ISO 16016

release date:
 15.05.2024

sheet:
 1/1