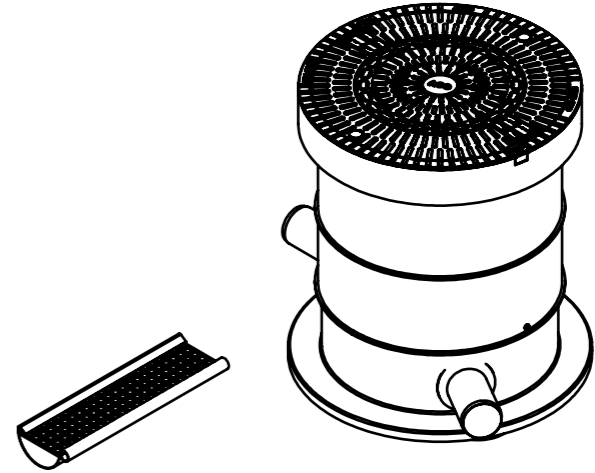


Rainwater inlet DN110/
Regenwasser Zulauf DN110

Waste water from tank filter/
Abwasser von Tankeinbaufilter

SCALE 1 : 20



Weight in kg / Gewicht in kg :86

Pos.	Item name	Item-No.	material_number	QTY.
1	Drivable cover, set high_height 670-870mm, max. weight 3.5t	1200331	2001128	1
2	Tank filter	1015804	2001153	1
3	Lip seal DN110	S-100572		2
4	Socket pipe DN110 L500	S-100575		2
5	Bend pipe 87° DN110	S-103726		2
6	U bend pipe DN110	S-100582		1
7	Roof gutter grid 600mm	1028466	2001152	34

material number: 2001131
local article number: 103105

<p>ACO GmbH Am Ahlmannkai 24782 Büdelsdorf www.aco.com</p>	<p>drawing-no.: 1259910</p>	<p>index: 002</p>	<p>documenttype: marketing drw.</p>
	<p>created by:</p>	<p>reviewed by:</p>	<p>projection:ISO-E </p>
<p>title: ACO Rain4me Drivable cover, set high_height 670-870mm, max. weight 3.5t with tank filter Pkw-befahrbare Abdeckung, Set hoch_height 670-870mm, max. Gewicht 3.5t mit Tankeinbaufilter</p>			
<p>The reproduction, distribution and utilization of this document as well as the communication of its contents to others without express authorization is prohibited. Offenders will be held liable for the payment of damages. All rights reserved in the event of the grant of a patent, utility model or design. Observe copyright by ISO 16016</p>			<p>release date: 13.09.2023</p>
			<p>sheet: 1/1</p>

serial-released