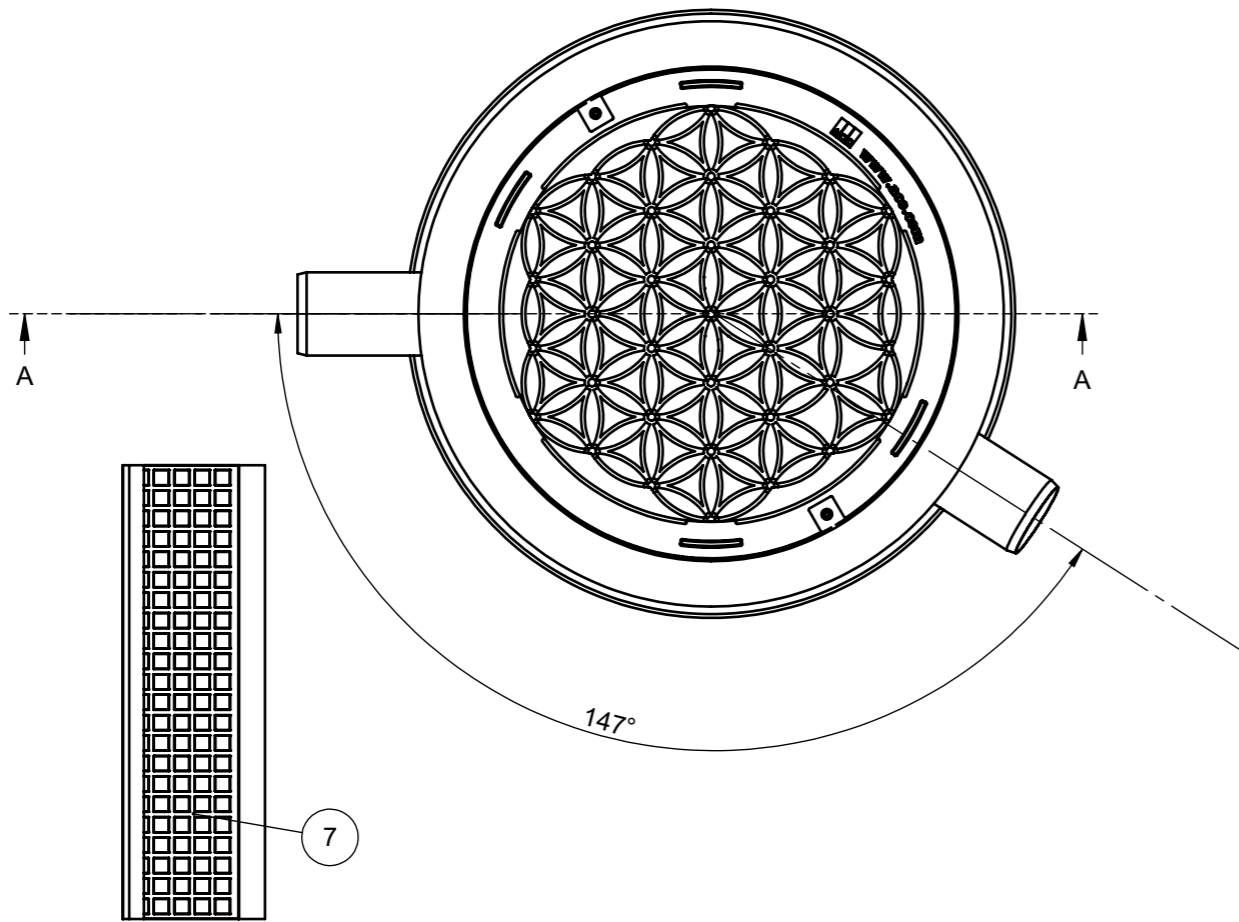
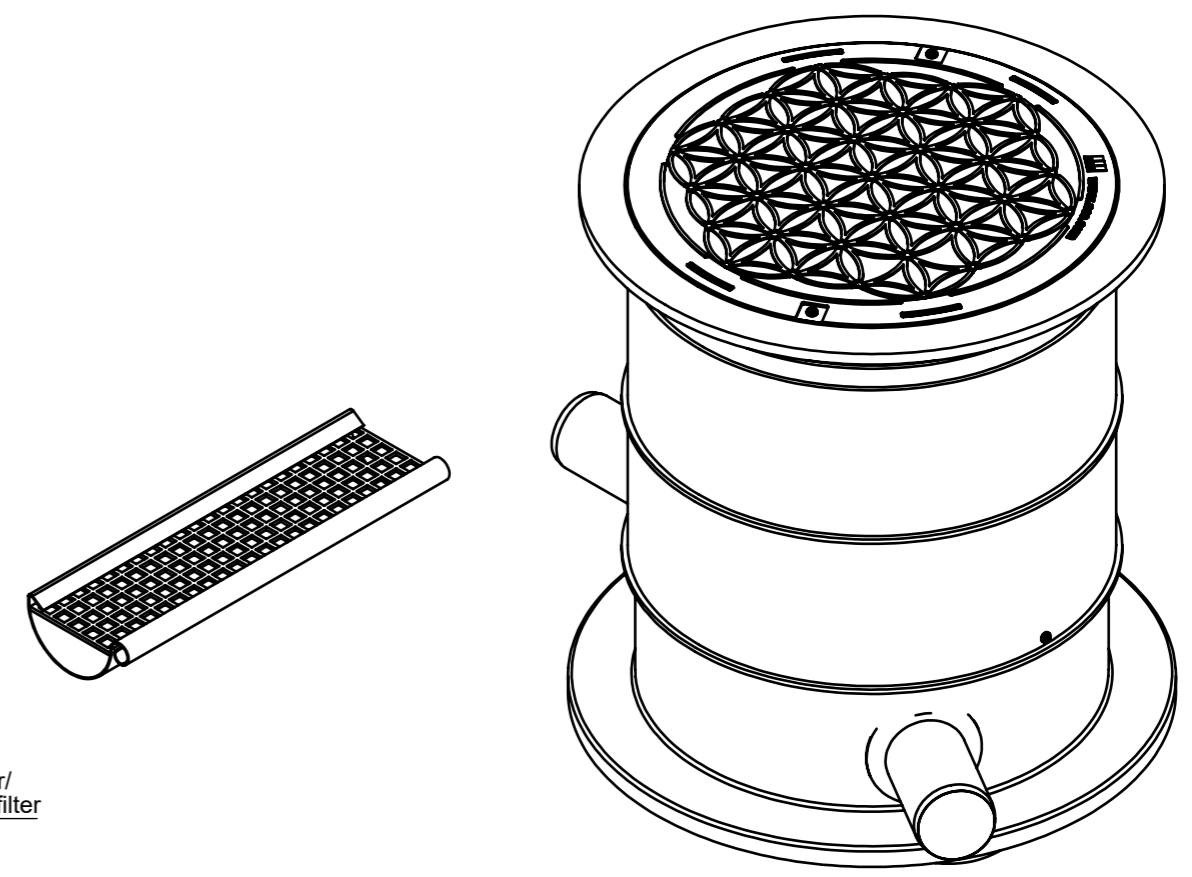
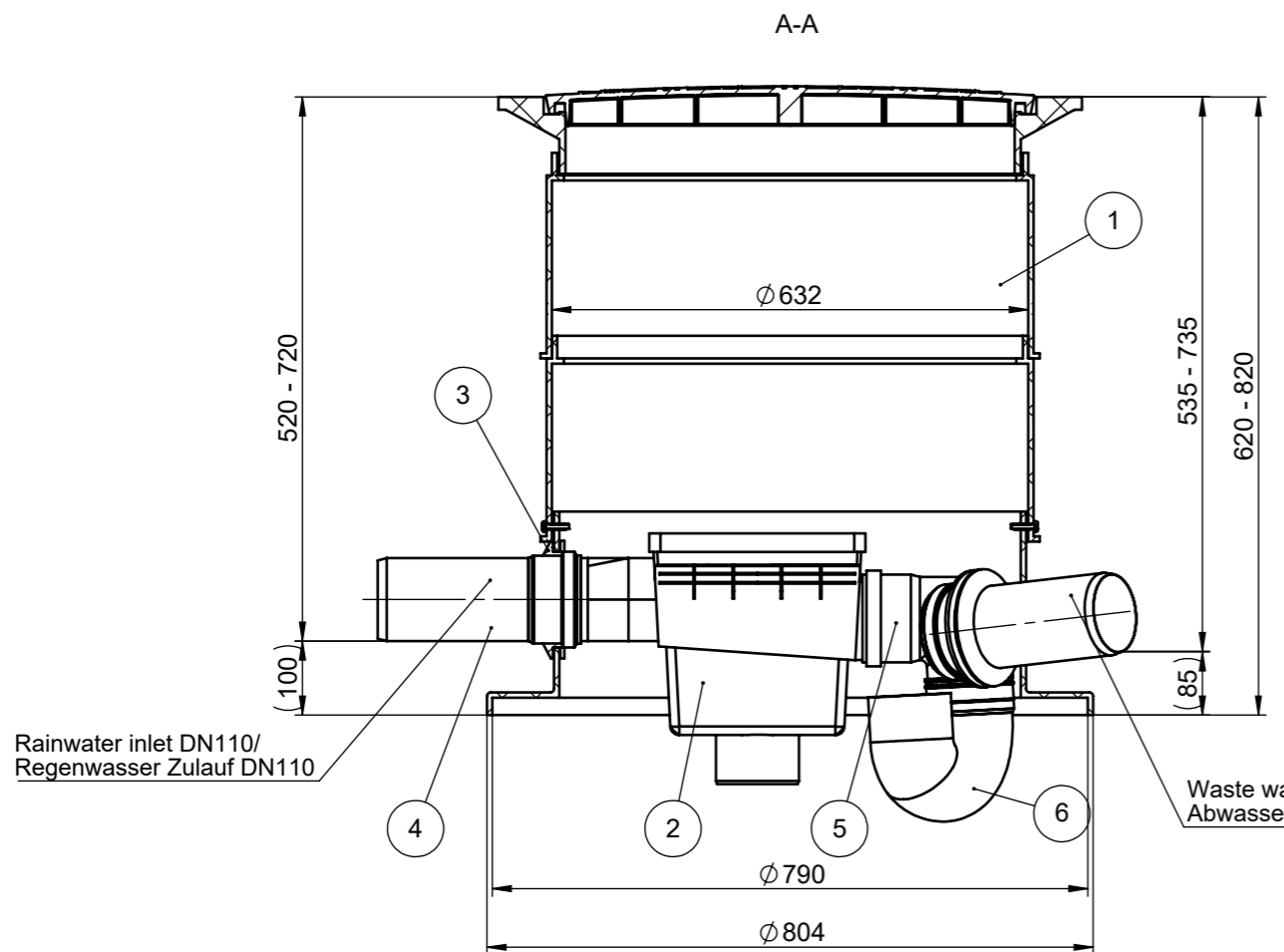


1 2 3 4 5 6 7 8

A B C D E F



Weight in kg / Gewicht in kg :42

Pos.	Item name	Item No.	material_number	QTY.
1	Walkable cover, set high_height 620-820mm	1200322	2001127	1
2	Tank filter	1015804	2001153	1
3	Lip seal DN110	S-100572		2
4	Socket pipe DN110 L500	S-100575		2
5	Bend pipe 87° DN110	S-103726		2
6	U bend pipe DN110	S-100582		1
7	Roof gutter grid 600mm	1028466	2001152	34

material number: 2001130
local article number: 103104

 ACO GmbH Am Ahlmannkai 24782 Büdelsdorf www.aco.com	drawing-no.: 1260360	index: 002	documenttype: marketing drw.
	created by:	reviewed by:	projection:ISO-E  scale: 1:10
title: ACO Rain4me Walkable cover, set high_height 620-820mm with tank filter Begehbare Abdeckung, Set hoch_Höhe 620-820mm mit Tankeinbaufilter			serial-released
The reproduction, distribution and utilization of this document as well as the communication of its contents to others without express authorization is prohibited. Offenders will be held liable for the payment of damages. All rights reserved in the event of the grant of a patent, utility model or design. Observe copyright by ISO 16016			release date: 13.09.2023
			sheet: 1/1

1 2 3 4 5 6 7 8

S:\projekte\2014\ACO Rain4me\ACO Rain4me.dwg