

1 2 3 4 5 6 7 8

A

B

C

D

E

F

A

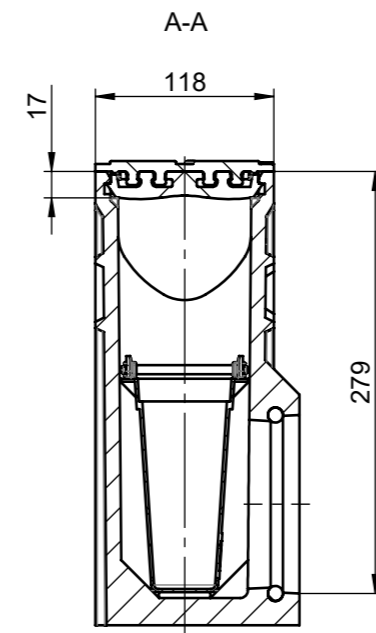
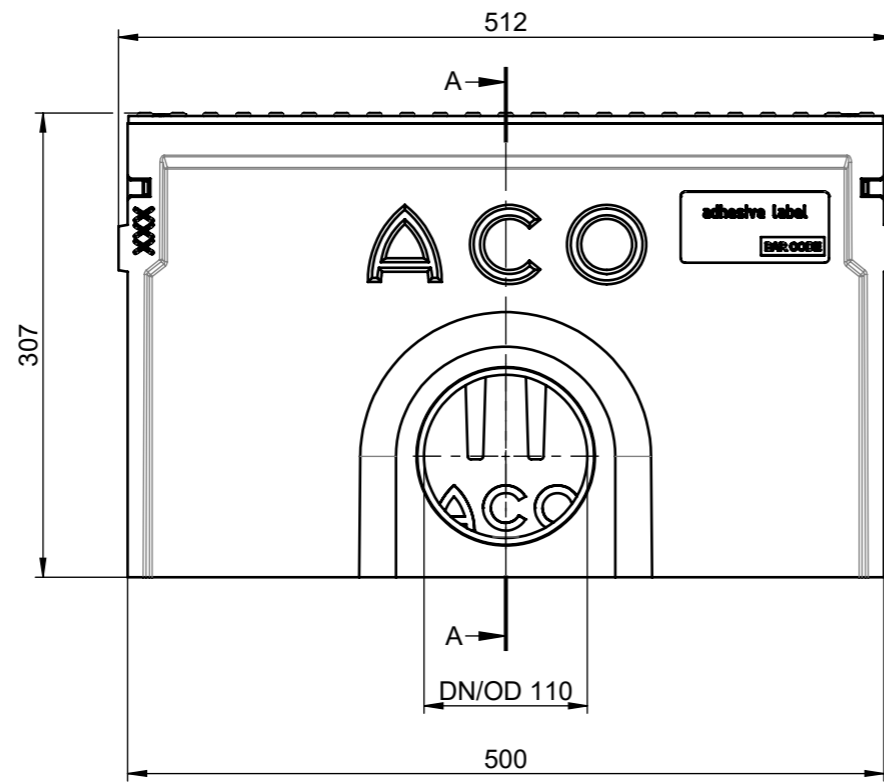
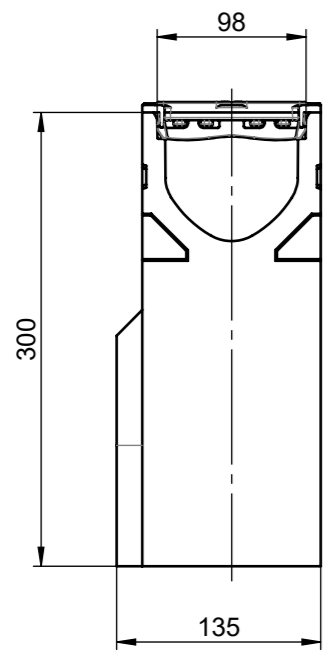
B

C

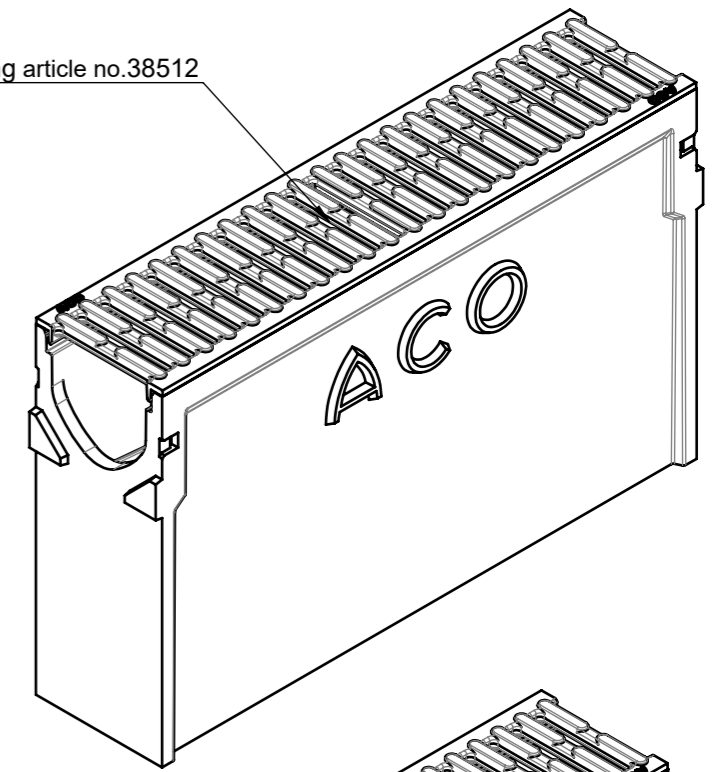
D

E

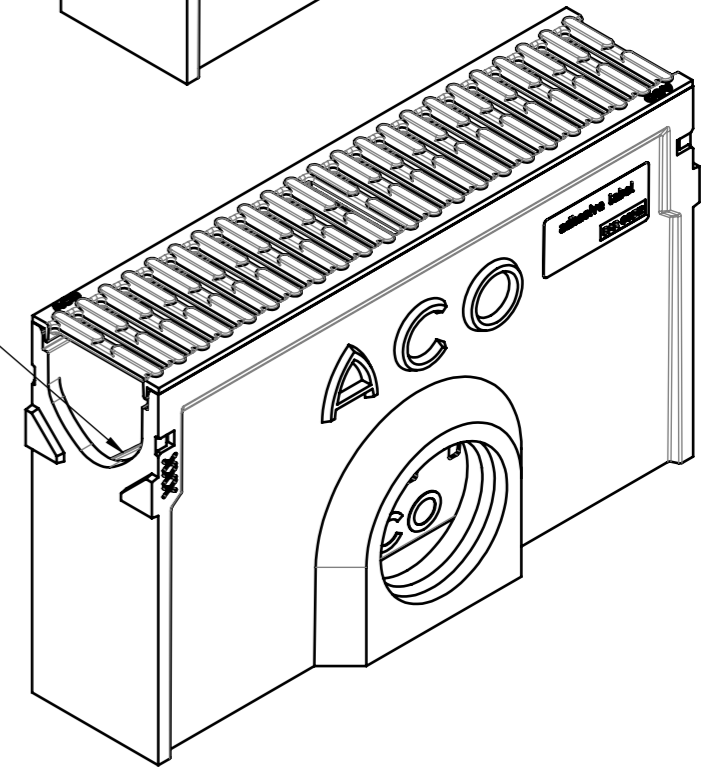
F


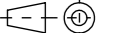


Grating article no.38512



Mud basket material no.3004952



 ACO GmbH Am Ahlmannkai 24782 Büdelsdorf www.aco.com	material number 3003710	drawing-no.: 1257629	index: 003	projection: ISO-E 	format A3
		doc-type:			scale: 1:5
title: ACO Self Euroline-Self Platform Sump unit 2.0, 0.5m with cast iron grating Einlaufkasten 2.0, 0.5m mit Gusseisenrost					serial-released
The reproduction, distribution and utilization of this document as well as the communication of its contents to others without express authorization is prohibited. Offenders will be held liable for the payment of damages. All rights reserved in the event of the grant of a patent, utility model or design. Observe copyright by ISO 16016				release date: 08.09.2025	sheet: 1/1

1 2 3 4 5 6 7 8

08/25/17/02/02